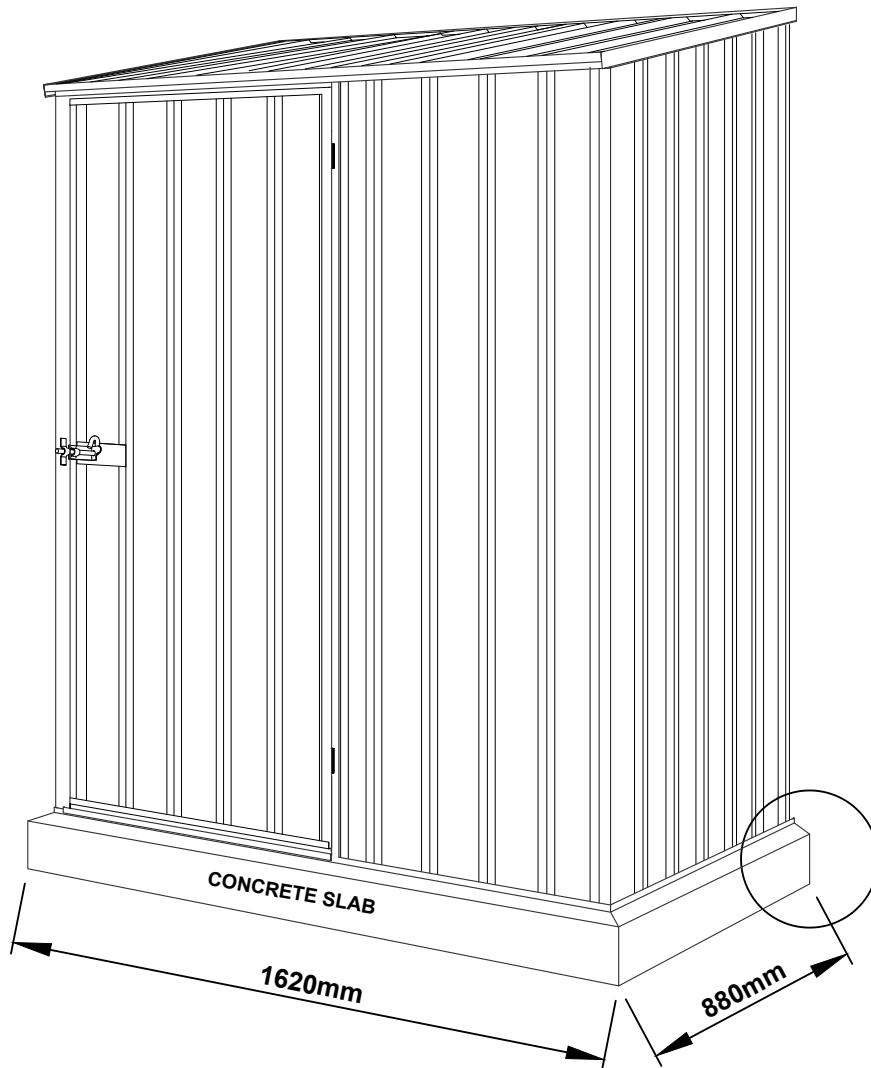


# Absco Space Saver Shed

## Assembly Instructions

### Model: 15081S



FRONT BASE  
LENGTH: 1.52m

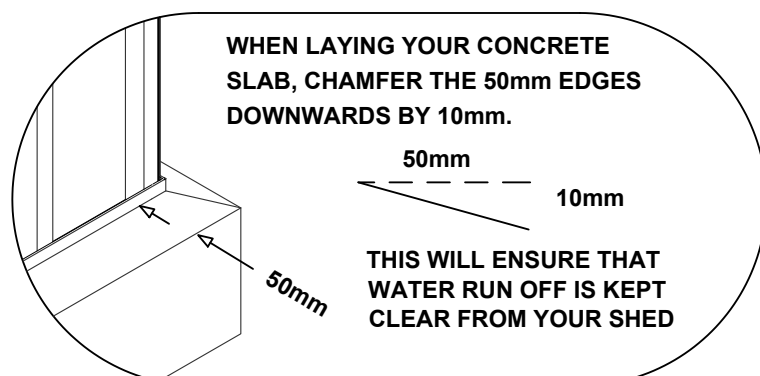
SIDE BASE  
LENGTH: 0.78m

FRONT WALL  
HEIGHT: 1.8m

REAR WALL  
HEIGHT: 1.95m



Quality  
Endorsed  
Company  
ISO9002  
LIC NO. 155  
STANDARDS AUSTRALIA



We thank you for choosing an Australian Made Shed. For further assistance please visit our detailed instructional video library at <http://www.absco.com.au/videos.php>

At ABSCO Industries we are always looking to be number ONE, so please let us know what you think of our instructions. Feedback makes us better.  
[feedback@absco.com.au](mailto:feedback@absco.com.au).

# Absco Space Saver Shed

## Model: 15081S

### GENERAL INSTRUCTIONS

- Before commencing any assembly, read through these instructions in detail to gain a thorough understanding of assembly methods and associated details.
- Unpack the carton and carefully identify and check off all the parts against the parts described and illustrated on pages three and four.

### SITE PREPARATION

- The site for the shed must be level.
- It is recommended that the shed be set on a 100mm concrete slab and anchored down appropriately (refer last page for details).
- Anchor sets are not supplied as standard items with this product.

### TOOLS REQUIRED



### A NOTE ON SAFETY

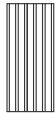
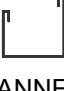
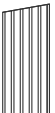

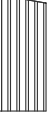

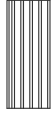

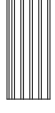

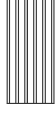




- Some parts may have sharp edges. It is advisable to wear gloves when handling these items and safety glasses if drilling holes. Sensible shoes are highly recommended.
- Do not erect your shed in windy conditions, ensure that the shed is securely anchored to a solid foundation immediately after construction is completed.
- It is highly recommended to erect the shed with two or more people.



# Absco Space Saver Shed

## Model: 15081S

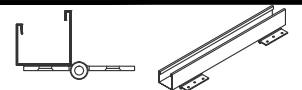
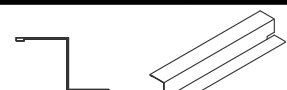
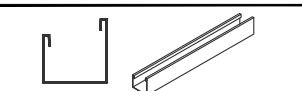
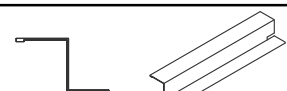
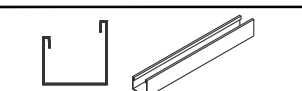
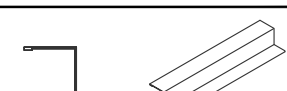
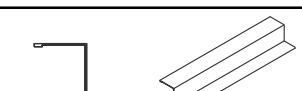
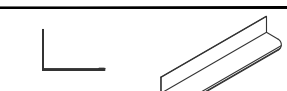

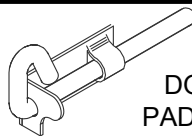

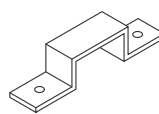


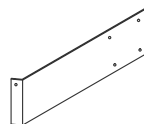
### COMPONENTS PACKING LIST - CHECK OFF ALL COMPONENTS

QTY	COMPONENT DESCRIPTION	PART No.	CHECK	QTY	COMPONENT DESCRIPTION	PART No.	CHECK
<b>2</b>	 STEEL SHEET 1915 X 773mm	<b>43B</b>		<b>1</b>	 CHANNEL L = 1513mm	<b>53C</b>	
<b>1</b>	 STEEL SHEET 1915mm X 773mm	<b>X4L</b>		<b>1</b>	 CHANNEL L = 1513mm	<b>81F</b>	
<b>1</b>	 STEEL SHEET 1915mm X 773mm	<b>X2R</b>		<b>2</b>	 CHANNEL L = 1513mm	<b>81E</b>	
<b>2</b>	 STEEL SHEET 865mm X 773mm	<b>43D</b>		<b>1</b>	 CHANNEL L = 1785mm	<b>80A</b>	
<b>1</b>	 STEEL SHEET 1785mm X 711mm	<b>34A</b>		<b>2</b>	 CHANNEL L = 786mm	<b>61B</b>	
<b>1</b>	 STEEL SHEET 1725mm X 773mm	<b>B</b>		<b>2</b>	 CHANNEL L = 773mm	<b>81J</b>	
<b>1</b>	 CHANNEL L = 1513mm	<b>53A</b>		<b>1</b>	 CHANNEL L = 783mm	<b>79C</b>	
<b>1</b>	 CHANNEL L = 1513mm	<b>53B</b>					

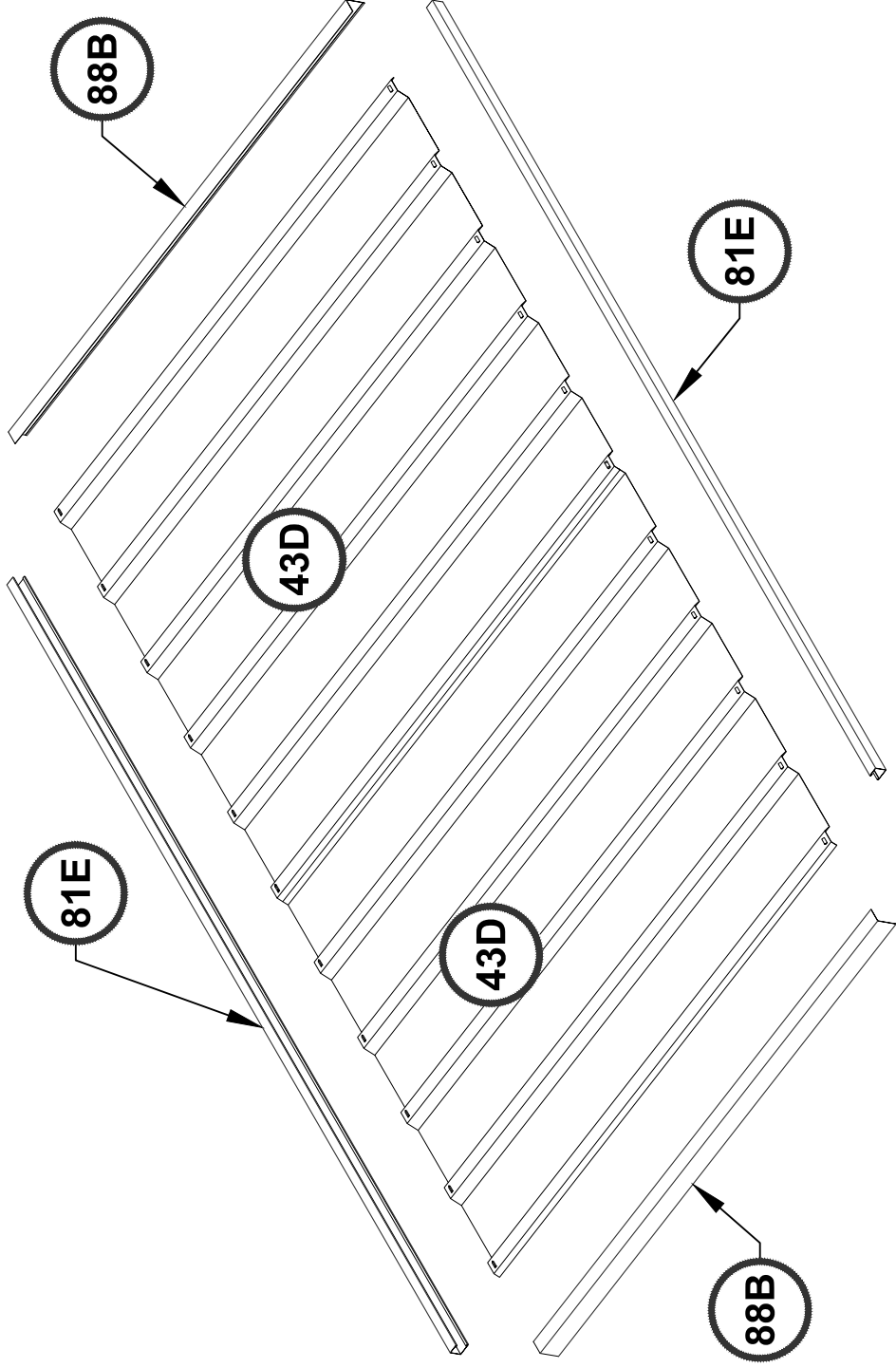
# Absco Space Saver Shed

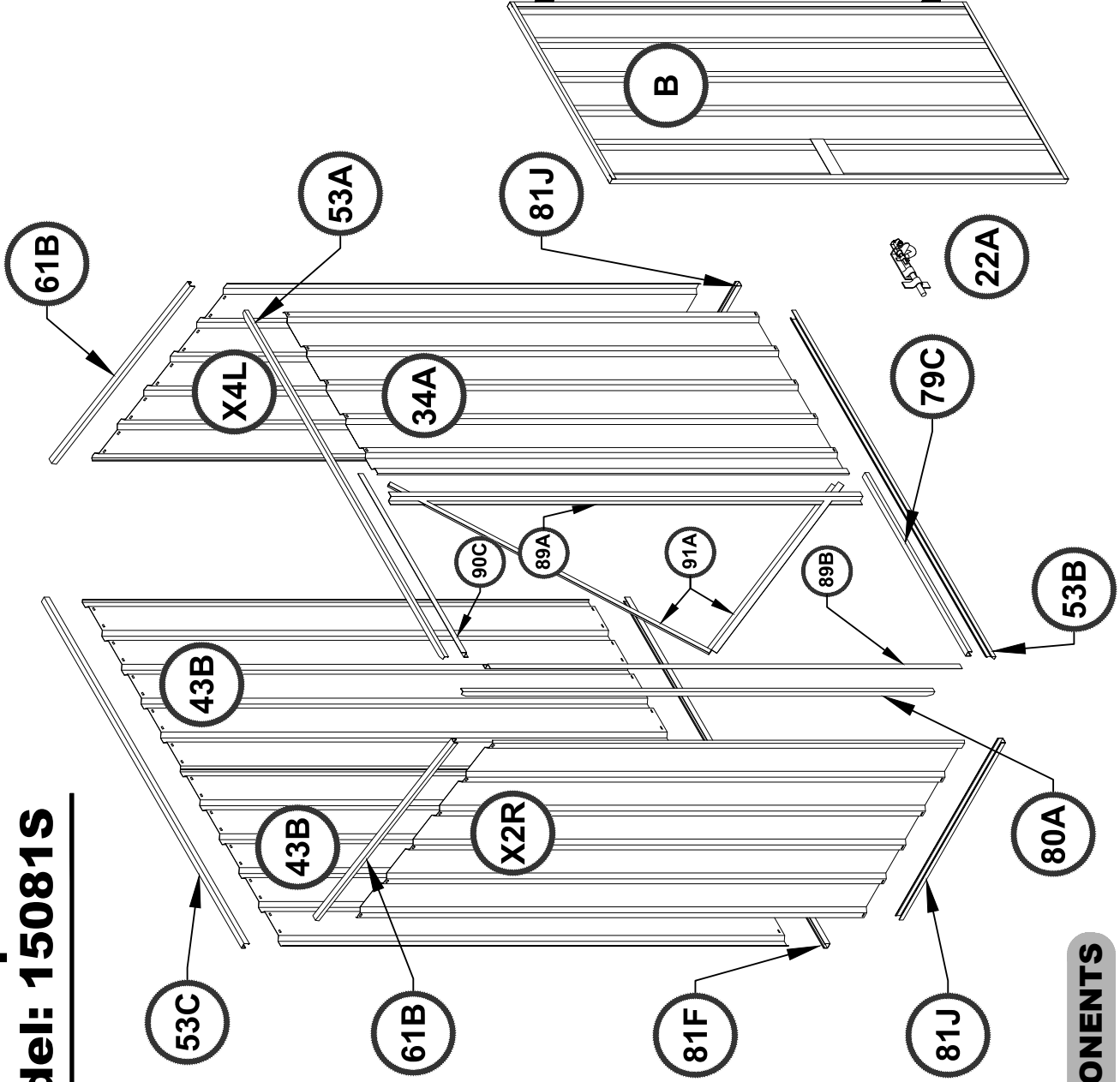
## Model: 15081S

### COMPONENTS PACKING LIST - (CONT.) CHECK OFF ALL COMPONENTS

QTY	COMPONENT DESCRIPTION	PART No.	CHECK	QTY	COMPONENT DESCRIPTION	PART No.	CHECK
<b>1</b>	 CHANNEL WITH HINGES L = 1725mm	<b>58A</b>		<b>1</b>	 JAMB L = 1785mm	<b>89B</b>	
<b>1</b>	 CHANNEL L = 1725mm	<b>58B</b>		<b>1</b>	 JAMB L = 783mm	<b>90C</b>	
<b>2</b>	 CHANNEL L = 773mm	<b>58C</b>		<b>2</b>	 JAMB L = 1120mm	<b>91A</b>	
<b>1</b>	 JAMB L = 1785mm	<b>89A</b>		<b>2</b>	 LIP TRIM L = 865mm	<b>88B</b>	
<b>CONTENTS OF FITTINGS PACKET</b>							
<b>120</b>	 SELF TAPPING SCREWS (10mm)			<b>1</b>	 DOOR PADBOLT	<b>22A</b>	
<b>6</b>	 4mm CSK SCREW & NUT SECURE HINGES TO DOOR			<b>1</b>	 DOOR PADBOLT HASP		
<b>1</b>	ASSEMBLY INSTRUCTIONS			<b>6</b>	 3mm POP RIVETS SECURE HINGES TO DOOR (ALTERNATIVE FIXING METHOD)		
<b>6</b>	 SELF TAPPING SCREWS (20mm)			<b>1</b>	 DOOR STRAP L: 165mm	<b>12A</b>	

**VIEW OF ROOF COMPONENTS**

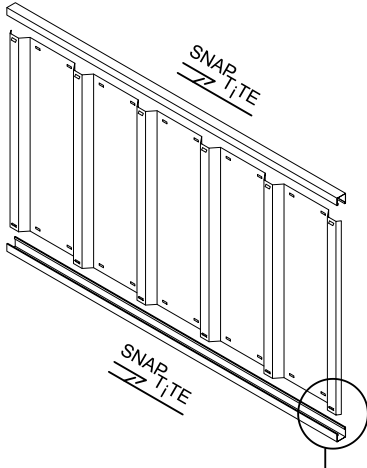




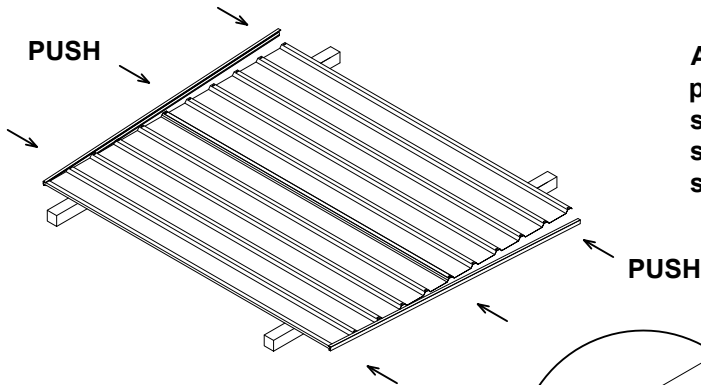
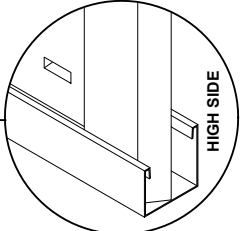
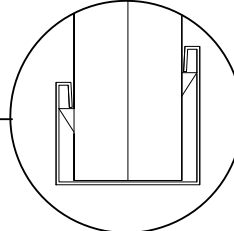
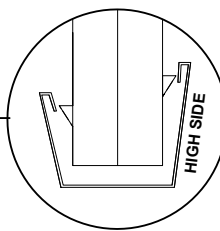
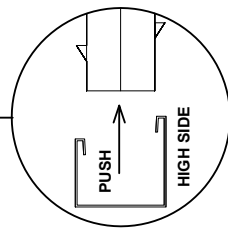
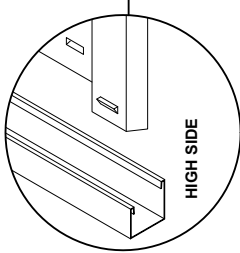
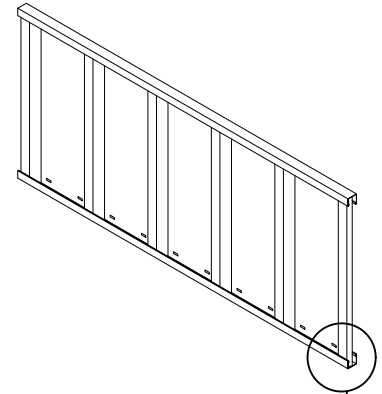
**VIEW OF WALL COMPONENTS**

### ABSCO ASSEMBLY INTRODUCTION

The snap-tite assembly system locks most perimeter channels to all roof and wall sheets without the need for tools and fasteners.



To pre-assemble the four wall panels and two roof panels, the perimeter channels are secured to the top and bottom of each panel using the snap-tite system, as detailed on the following pages wherever you see the symbol.



After joining sheets together, position channel over one end of the sheets, gently tapping it over the snap-tite lugs, working along the sheets to the other end.

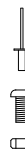
Position sheets on timbers, trestles or partly over edge of concrete slab.

Each perimeter channel must finish flush with the edges of the sheets. the snap-tite system allows adjustment for this process by simply tapping the channel along the sheets until each end is neatly flush.

### FASTENING SYMBOLS



Join components together with one screw at this location only, as some channel sections have extra holes that are not required for this model of garden shed



3mm POP RIVETS



4mm NUT & BOLT SET

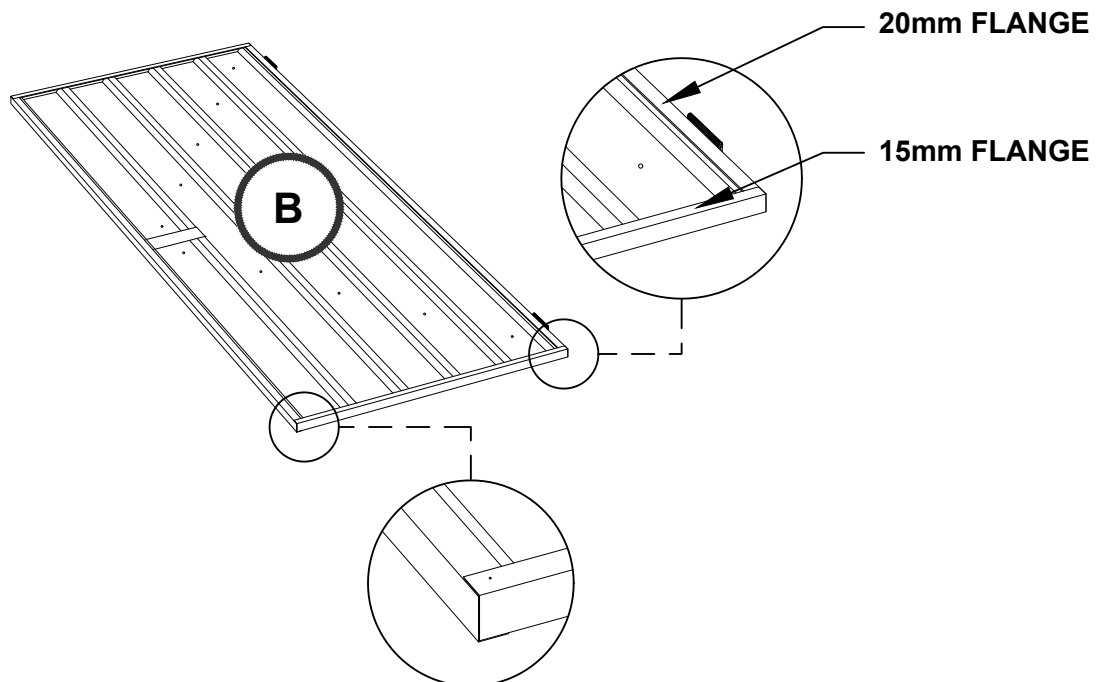
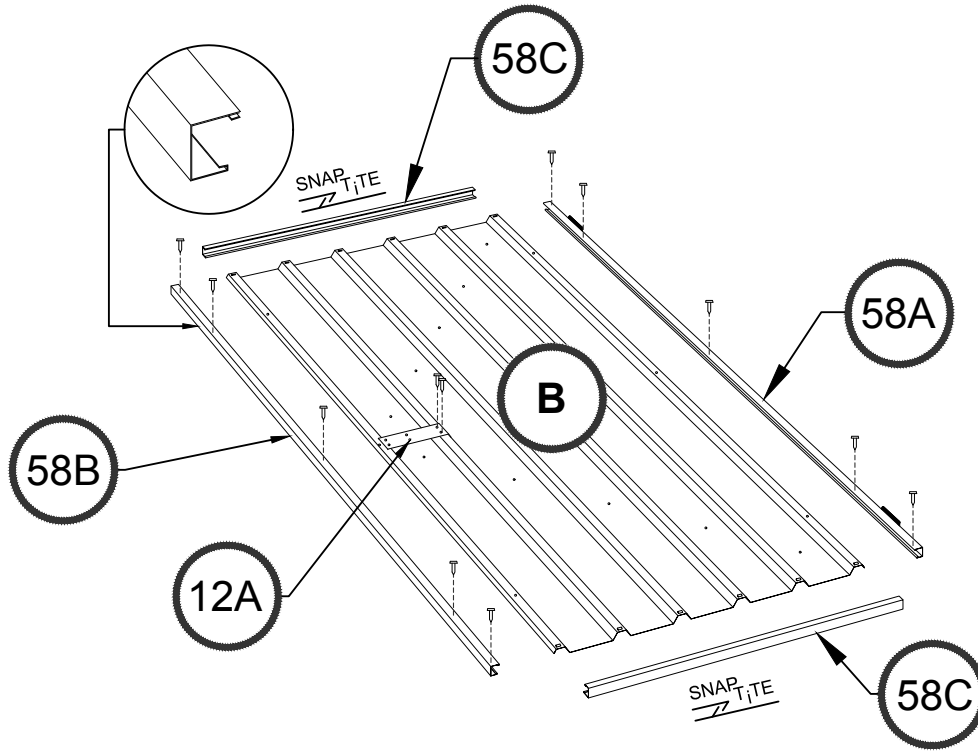


Do not join components together at this location yet, as the screw may obstruct further assembly of other components

# Absco Space Saver Shed

## Model: 15081S

### DOOR PANEL ASSEMBLY

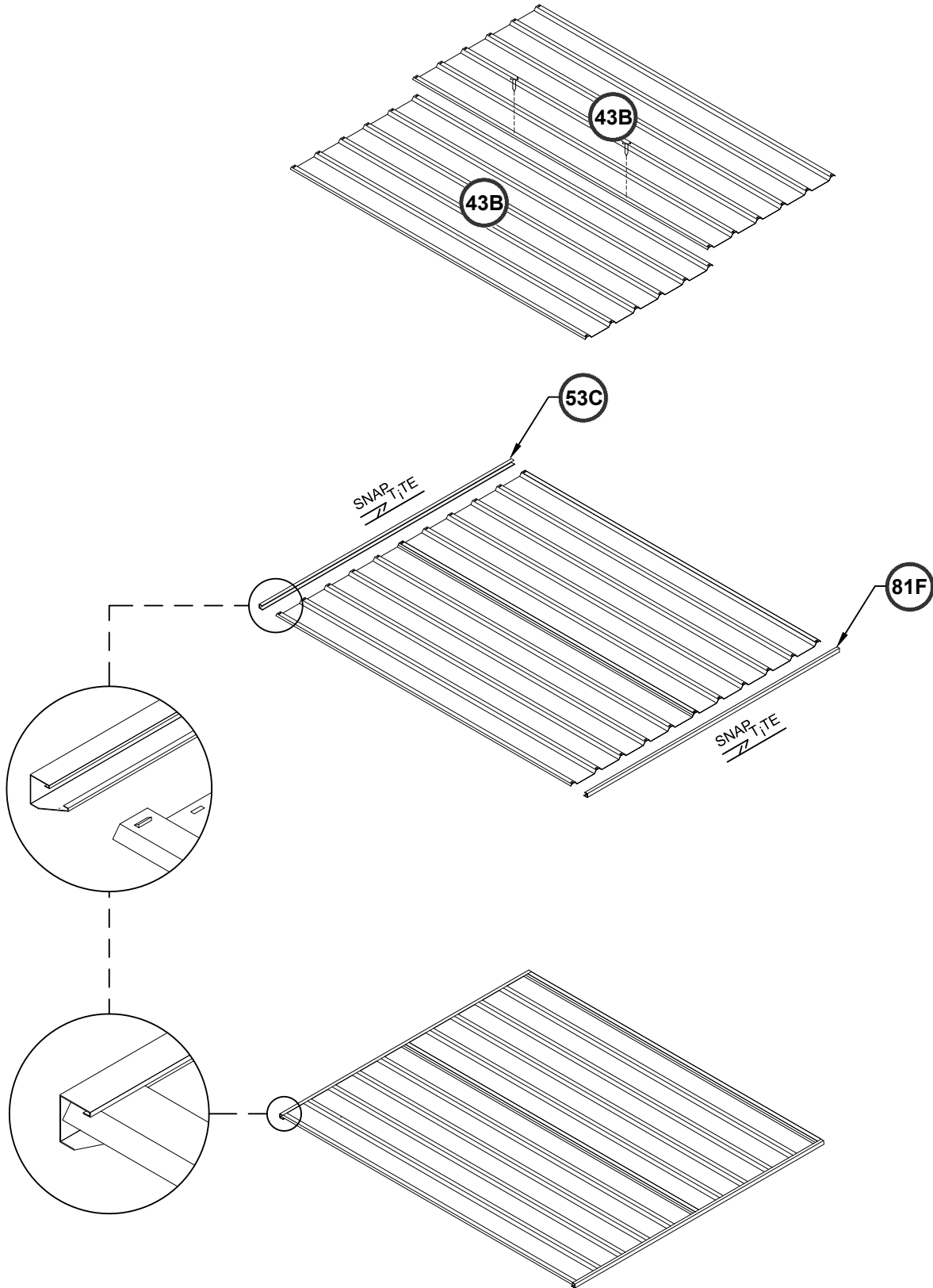




# Absco Space Saver Shed

## Model: 15081S

### REAR PANEL ASSEMBLY

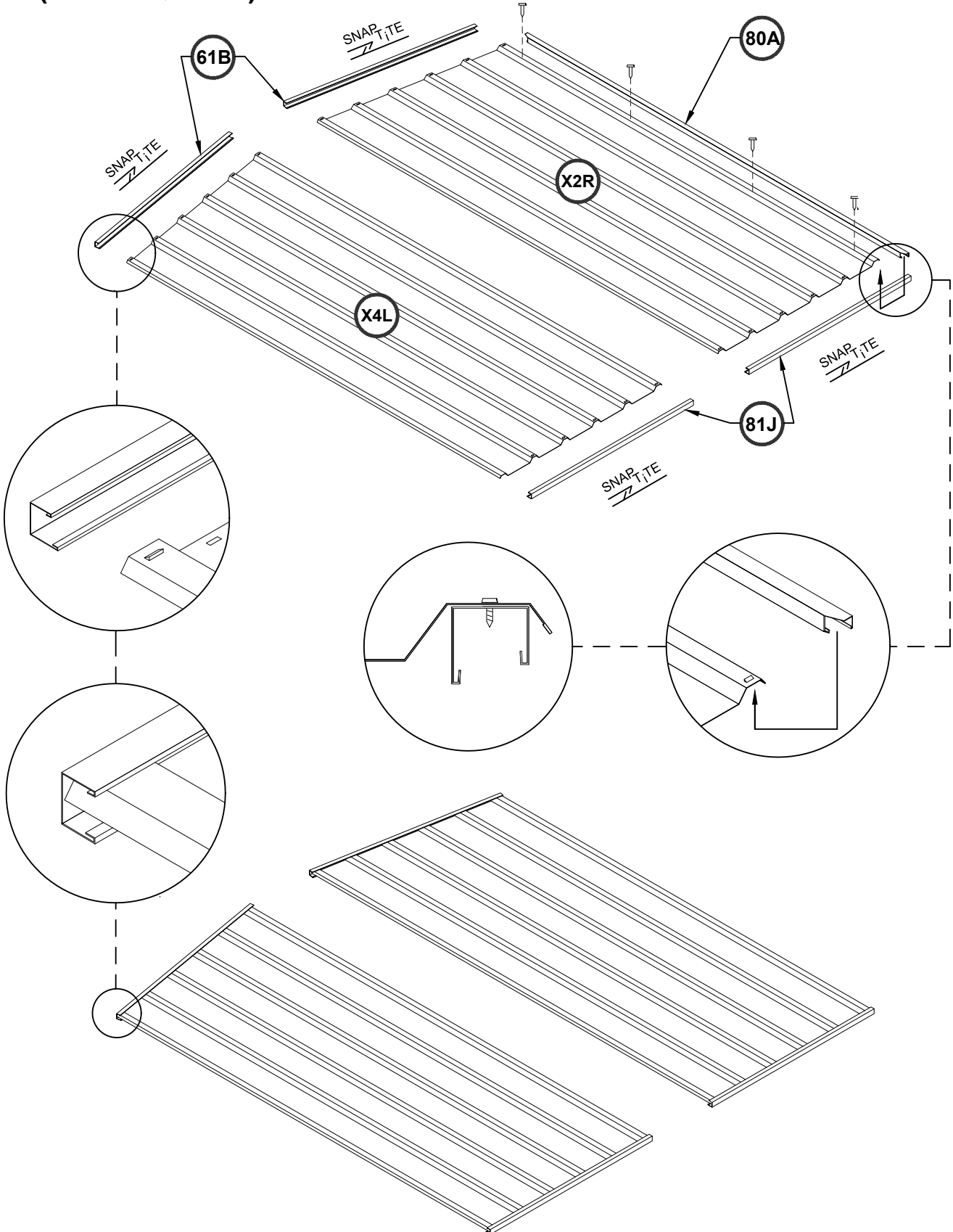


# Absco Space Saver Shed

## Model: 15081S

### SIDE PANEL ASSEMBLY

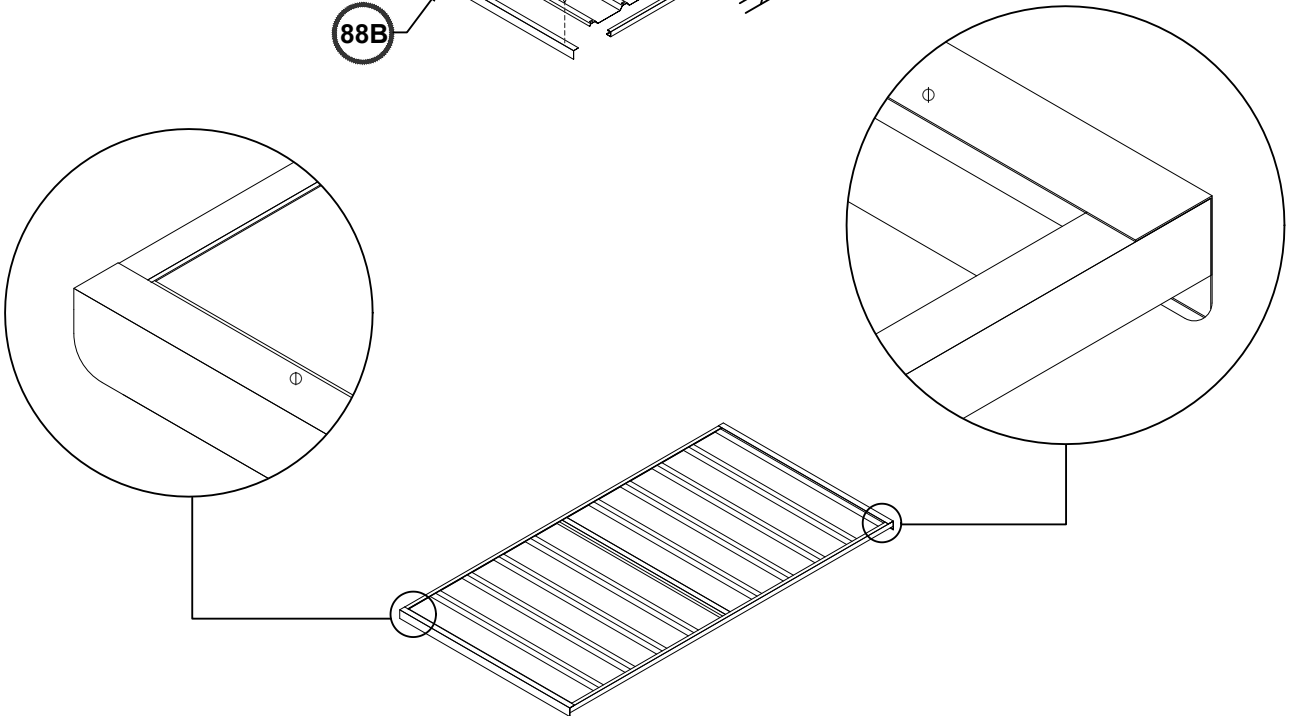
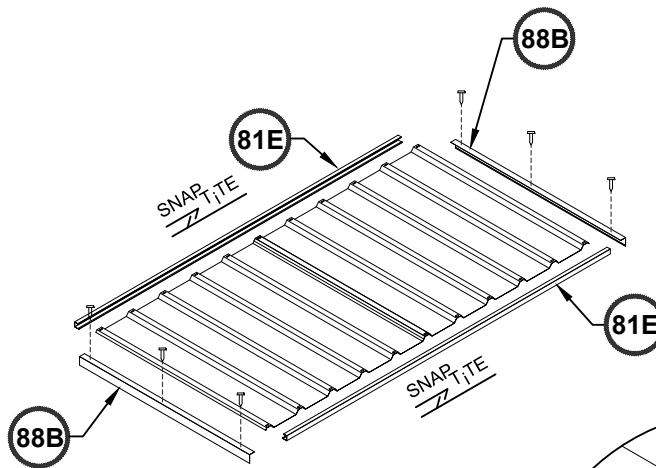
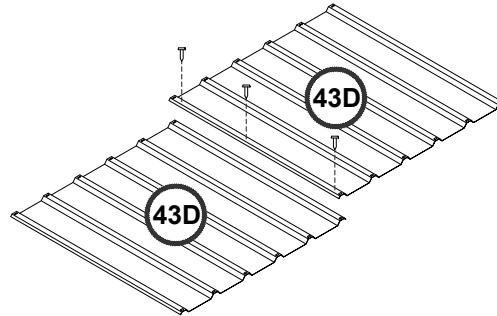
(TWO REQUIRED)



# Absco Space Saver Shed

## Model: 15081S

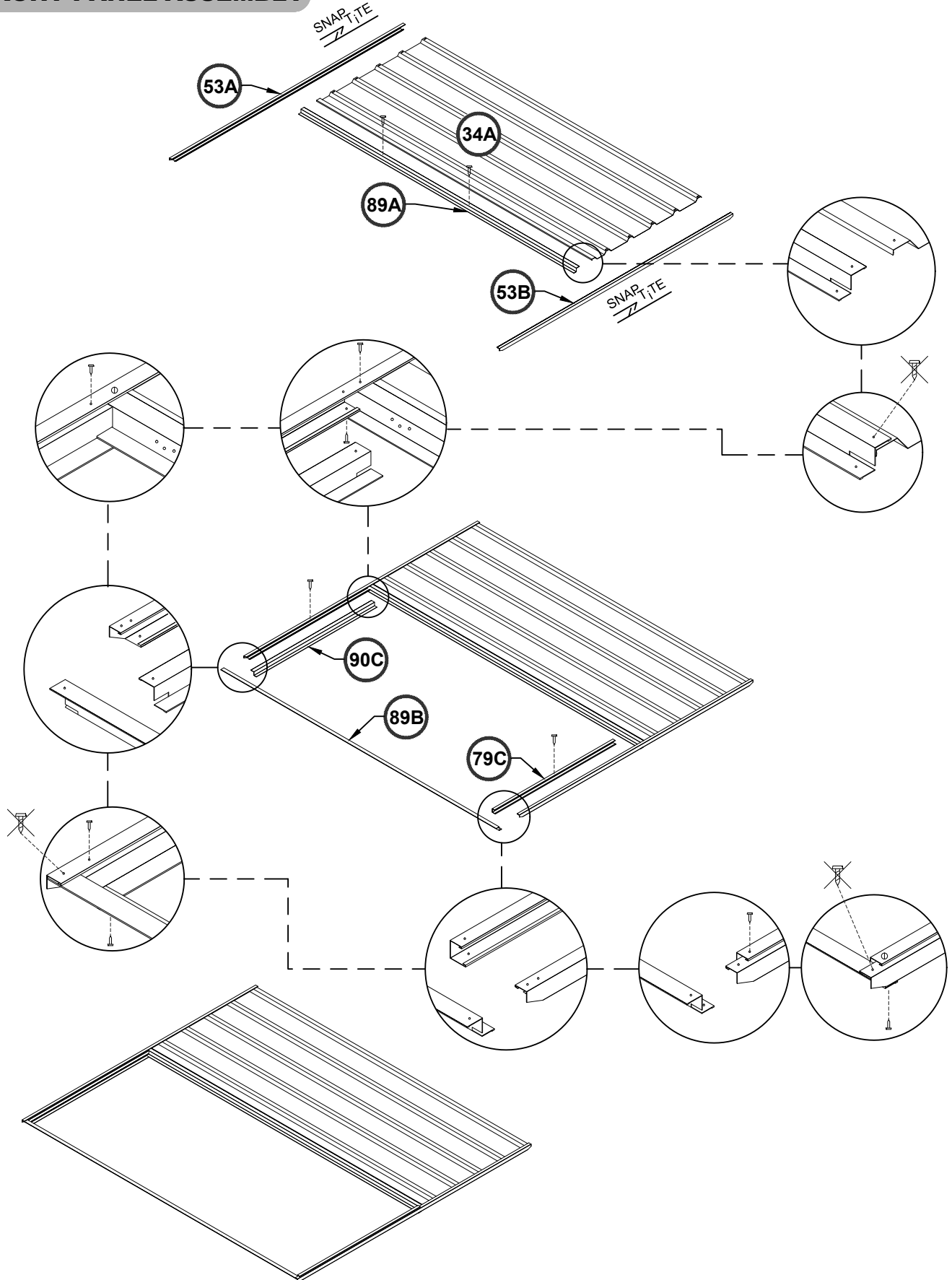
### ROOF ASSEMBLY



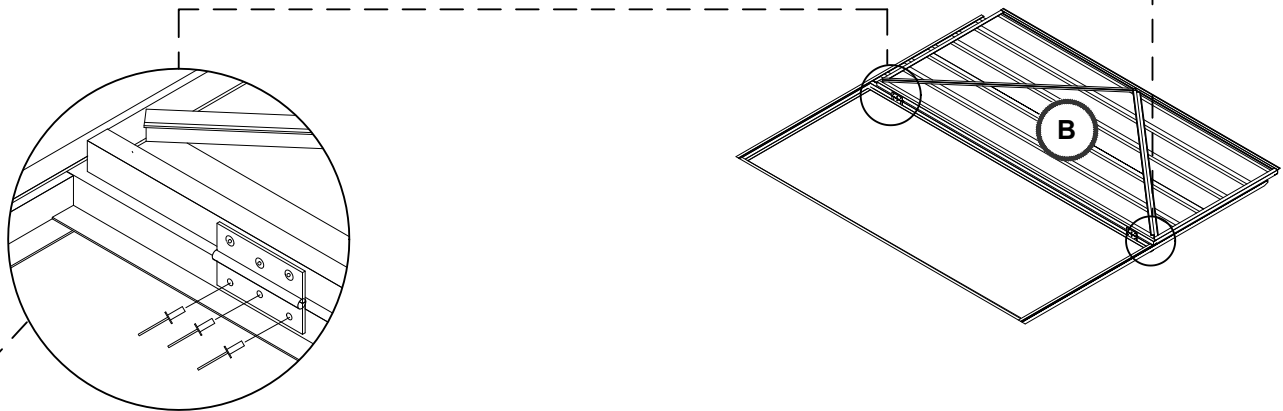
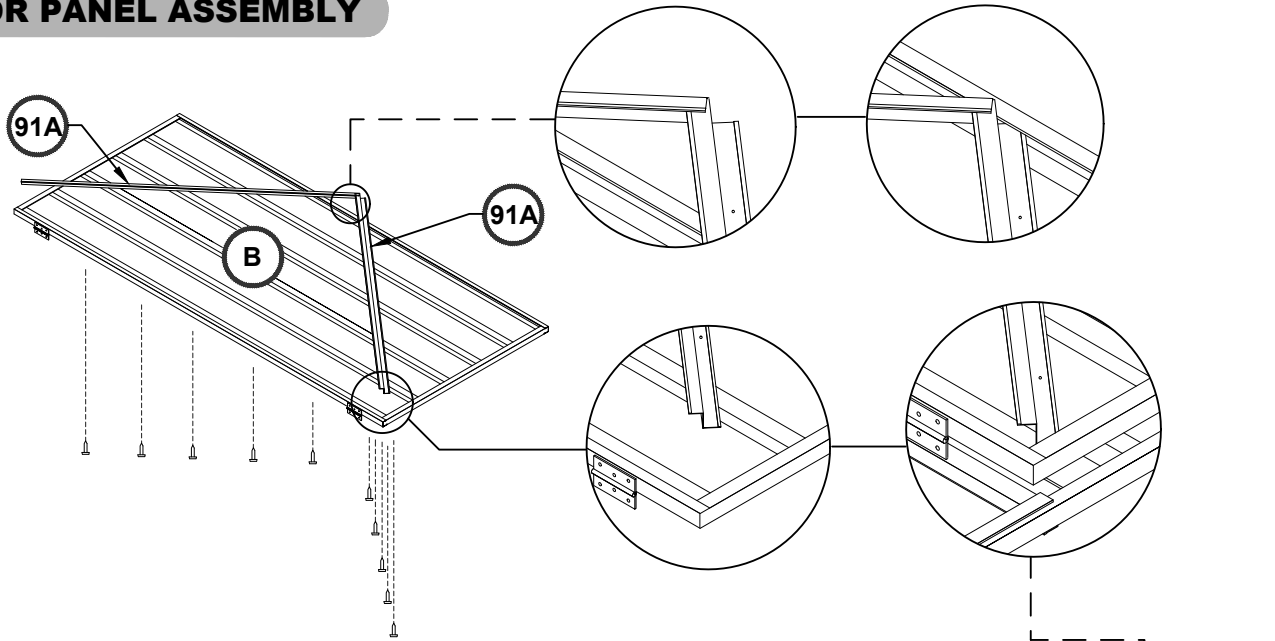
# Absco Space Saver Shed

## Model: 15081S

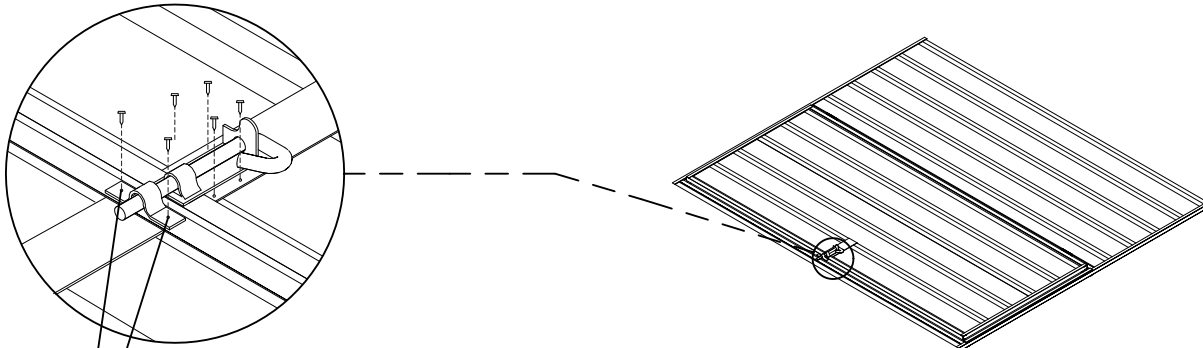
### FRONT PANEL ASSEMBLY



### DOOR PANEL ASSEMBLY



NOTE: NUTS AND BOLTS (SUPPLIED) MAY BE USED INSTEAD OF POP RIVETS (SUPPLIED) BY SIMPLY ENLARGING THE HINGE HOLE SETS IN THE JAMB USING A 4MM DRILL BIT

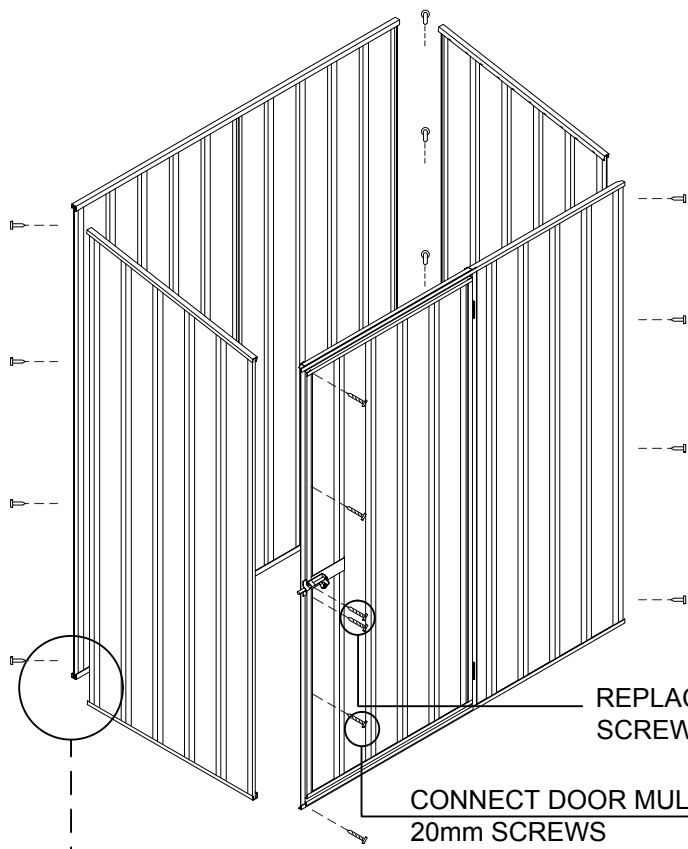


NOTE: The two holes required to connect the padbolt hasp for each door have not been pre-punched, to allow for proper alignment. position each hasp centrally over the padbolt shaft, and drill 3mm holes and secure with screws

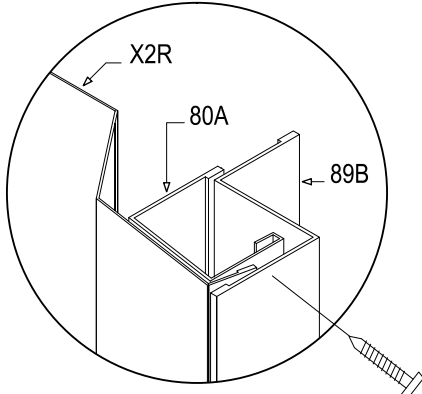
# Absco Space Saver Shed

## Model: 15081S

### PANEL CONSTRUCTION

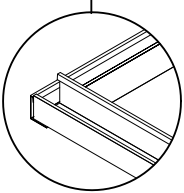
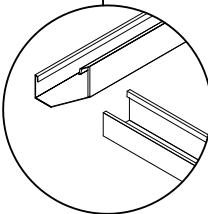


SIDE WALL PANEL CHANNELS FIT INTO THE NOTCHED FRONT AND REAR WALL PANEL CHANNELS



REPLACE PADBOLT HASP 10mm SCREWS WITH 20MM SCREWS

CONNECT DOOR MULLION SECTIONS WITH SIX 20mm SCREWS

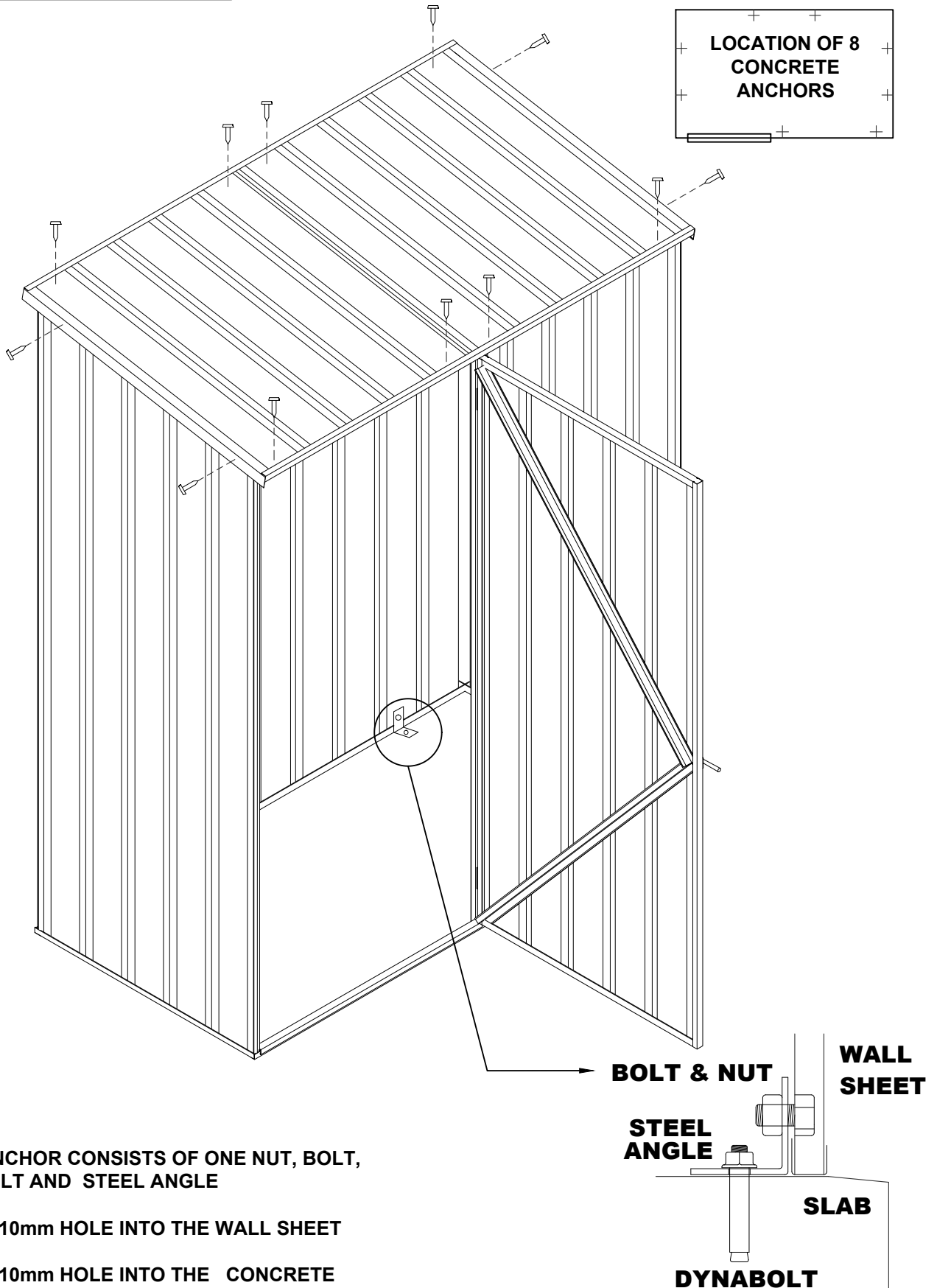


# Absco Space Saver Shed

## Model: 15081S

### ANCHORING OF SHED

#### FINAL CONSTRUCTION



- EACH ANCHOR CONSISTS OF ONE NUT, BOLT, DYNABOLT AND STEEL ANGLE
- DRILL A 10mm HOLE INTO THE WALL SHEET
- DRILL A 10mm HOLE INTO THE CONCRETE